

1.0~1.8t XF series mast: (pneumatic)

Type	Model	Max. fork height	Overall height					Free lift			Tilt range		Capacity					
			Lowered	Extended		Without backrest	With backrest	Front Overhang	FwD	BwD	Load capacity at 500mm							
				1/1.5	1.75t						Single tire		Dual tire					
											1t	1.5t	1.75t	1t	1.5t	1.75t		
Wide view mast	X15M200	2000	1495	2565	2955	155	405	410	6	12	1000	1500	1750	1000	1500	1750		
	X15M250	2500	1745	3065	3455	155	405	410	6	12	1000	1500	1750	1000	1500	1750		
	X15M270	2700	1845	3265	3655	155	405	410	6	12	1000	1500	1750	1000	1500	1750		
	X15M300	3000	1995	3565	3955	155	405	410	6	12	1000	1500	1750	1000	1500	1750		
	X15M330	3300	2145	3865	4255	155	405	410	6	12	1000	1500	1750	1000	1500	1750		
	X15M350	3500	2245	4065	4455	155	405	410	6	12	1000	1500	1750	1000	1500	1750		
	X15M370	3700	2395	4265	4655	155	405	410	6	12	1000	1500	1750	1000	1500	1750		
	X15M400	4000	2595	4660	4955	155	405	410	6	12	1000	1500	1750	1000	1500	1750		
	X15M430	4300	2745	4960	5255	155	405	410	6	6	950	1450	1600	1000	1450	1650		
	X15M450	4500	2845	5100	5455	155	405	410	6	6	900	1400	1550	950	1400	1600		
Wide view full free duplex mast	X15U270	2700	1910	3285	3645	1325	965	405	410	6	12	1000	1500	1750	1000	1500	1750	
	X15U300	3000	2010	3590	3950	1425	1065	405	410	6	12	1000	1500	1750	1000	1500	1750	
	X15U330	3300	2160	3885	4245	1575	1215	405	410	6	12	1000	1500	1750	1000	1500	1750	
	X15U350	3500	2260	4095	4445	1675	1315	405	410	6	12	1000	1500	1750	1000	1500	1750	
	X15U370	3700	2360	4285	4645	1775	1415	405	410	6	12	1000	1500	1750	1000	1500	1750	
	X15U400	4000	2560	4585	4945	1975	1615	405	410	6	12	1000	1500	1750	1000	1500	1700	
	X15N400	4000	1970	4680	4955	1300	1025	420	425	6	6	900	1400	1550	950	1400	1600	
	X15N430	4300	2070	4980	5255	1400	1125	420	425	6	6	850	1350	1500	900	1350	1550	
	X15N450	4500	2120	5130	5455	1500	1175	420	425	6	6	800	1300	1450	850	1300	1500	
	X15N470	4700	2170	5380	5750	1585	1225	420	425	6	6	750	1250	1400	800	1250	1450	
Wide view full free triplex mast	X15NS500	5000	2270	5595	5955	1685	1325	420	425	6	6	700	1200	1350	800	1250	1450	
	X15NS550	5500	2470	6095	6455	1785	1425	420	425	3	6	650	1150	1300	750	1200	1350	
	X15NS600	6000	2720	6730	7055	2100	1775	420	425	3	6	600	700	750	700	1050	1150	
	X15N650	6500	2870	7180	7455	2200	1925	420	425	3	6	550	650	700	600	900	900	
	X15N700	7000	2970	7595	7955	2385	2025	420	425	3	6	500	600	650	550	850	850	

With sideshifter minus 150kg,with integral sideshifter minus 100kg

2.0~2.5t XF series mast: (pneumatic)

Type	Model	Max. fork height	Overall height					Free lift			Tilt range		Capacity					
			Lowered	Extended		Without backrest	With backrest	Front Overhang	FwD	BwD	Load capacity at 500 mm							
				2.0t	2.5t						Single tire		Dual tire					
											2.0t	2.5t	2.0t	2.5t				
Wide view mast	X25M200	2000	1535	2660	3045	140	465	6	12	2000	2500	2000	2500					
	X25M250	2500	1785	3160	3545	140	465	6	12	2000	2500	2000	2500					
	X25M270	2700	1885	3360	3745	140	465	6	12	2000	2500	2000	2500					
	X25M300	3000	2035	3660	4045	140	465	6	12	2000	2500	2000	2500					
	X25M330	3300	2185	3960	4345	140	465	6	12	2000	2500	2000	2500					
	X25M350	3500	2285	4160	4545	140	465	6	12	2000	2500	2000	2500					
	X25M370	3700	2435	4360	4745	140	465	6	12	2000	2500	2000	2500					
	X25M400	4000	2635	4660	5045	140	465	6	12	2000	2500	2000	2500					
	X25M430	4300	2785	4860	5245	140	465	6	6	1850	2400	2000	2500					
	X25M450	4500	2885	5160	5545	140	465	6	6	1850	2400	2000	2500					
Wide view full free duplex mast	X25U200	2000	1560	2680	3045	880	510	465	6	12	2000	2500	2000	2500				
	X25U250	2500	1810	3180	3545	1130	760	465	6	12	2000	2500	2000	2500				
	X25U270	2700	1910	3380	3745	1230	860	465	6	12	2000	2500	2000	2500				
	X25U300	3000	2010	3680	4045	1330	960	465	6	12	2000	2500	2000	2500				
	X25U330	3300	2160	3980	4345	1480	1110	465	6	12	2000	2500	2000	2500				
	X25U350	3500	2260	4180	4545	1580	1210	465	6	12	2000	2500	2000	2500				
	X25U370	3700	2360	4380	4745	1680	1310	465	6	12	2000	2500	2000	2500				
	X25U400	4000	2560	4680	5045	1880	1510	465	6	12	2000	2500	2000	2500				
	X25N400	4000	2000	4700	5045	1300	955	480	6	6	1950	2450	2000	2500				
	X25N430	4300	2100	5000	5345	1400	1055	480	6	6	1900	2400	1950	2450				
Wide view full free triplex mast	X25NS400	4000	2450	5230	5595	1470	1105	480	6	6	1850	2300	1850	2300				
	X25NS430	4300	2550	5530	5895	1570	1205	480	6	6	1800	2250	1800	2300				
	X25NS450	4500	2650	5830	6255	1670	1305	480	6	6	1750	2200	1750	2300				
	X25NS470	4700	2750	6130	6545	1770	1405	480	6	6	1700	2150	1700	2300				
	X25NS500	5000	2850	6430	6845	1870	1505	480	6	6	1650	2100	1650	2300				
	X25NS550	5500	3150	7075	7485	2120	1750	480	3	6	1450	1600	1600	1900				
	X25NS600	6000	3450	7720	8130	2370	1995	480	3	6	1300	1450	1450	1750				
	X25NS650	6500	3750	8365	8775	2620	2245	480	3	6	1150	1300	1300	1650				
	X25NS700	7000	4050	9010	9425	2870	2495	480	3	6	1000	1150	1150	1500				

With sideshifter minus 150kg,with integral sideshifter minus 100kg

3.0~3.5t XF series mast: (pneumatic)

Type	Model	Max. fork height	Overall height						Free lift				Tilt range		Capacity					
			Lowered (mm)	Extended		Without backrest (mm)	With backrest (mm)	Front Overhang (mm)	FwD	BwD	Load capacity at 500 mm									
				3.0t	3.5t						Single tire		Dual tire							
											3.0t	3.5t	3.0t	3.5t						
Wide view mast	X30/35M200	2000	1550	1665	2735	2815	3145	3145	145	145	145	480	485	6	12	3000	3500	3000	3500	
	X30/35M250	2500	1800	1915	3235	3315	3645	3645	145	145	145	480	485	6	12	3000	3500	3000	3500	
	X30/35M270	2700	1900	2015	3435	3515	3845	3845	145	145	145	480	485	6	12	3000	3500	3000	3500	
	X30/35M300	3000	2050	2165	3735	3815	4145	4145	145	145	145	480	485	6	12	3000	3500	3000	3500	
	X30/35M330	3300	2200	2315	4035	4115	4445	4445	145	145	145	480	485	6	12	3000	3500	3000	3500	
	X30/35M350	3500	2300	2415	4235	4315	4645	4645	145	145	145	480	485	6	12	3000	3500	3000	3500	
	X30/35M370	3700	2450	2565	4435	4515	4845	4845	145	145	145	480	485	6	12	3000	3500	3000	3500	
	X30/35M400	4000	2650	2715	4735	4815	5145	5145	145	145	145	480	485	6	12	3000	3500	3000	3500	
	X30/35M430	4300	2800	2865	5035	5115	5445	5445	145	145	145	480	485	6	6	3000	3500	3000	3500	
	X30/35M450	4500	2900	2965	5235	5315	5645	5645	145	145	145	480	485	6	6	3000	3500	3000	3500	
Wide view full free duplex mast	X30/35U200	2000	1620	1720	2755	2830	3145	3145	865	890	475	575	480	480	6	12	3000	3500	3000	3500
	X30/35U250	2500	1870	1970	3255	3330	3645	3645	1115	1140	725	825	480	480	6	12	3000	3500	3000	3500
	X30/35U270	2700	1970	2070	3455	3530	3845	3845	1215	1240	825	925	480	480	6	12	3000	3500	3000	3500
	X30/35U300	3000	2080	2180	3755	3830	4145	4145	1325	1350	935	1035	480	480	6	12	3000	3500	3000	3500
	X30/35U330	3300	223																	

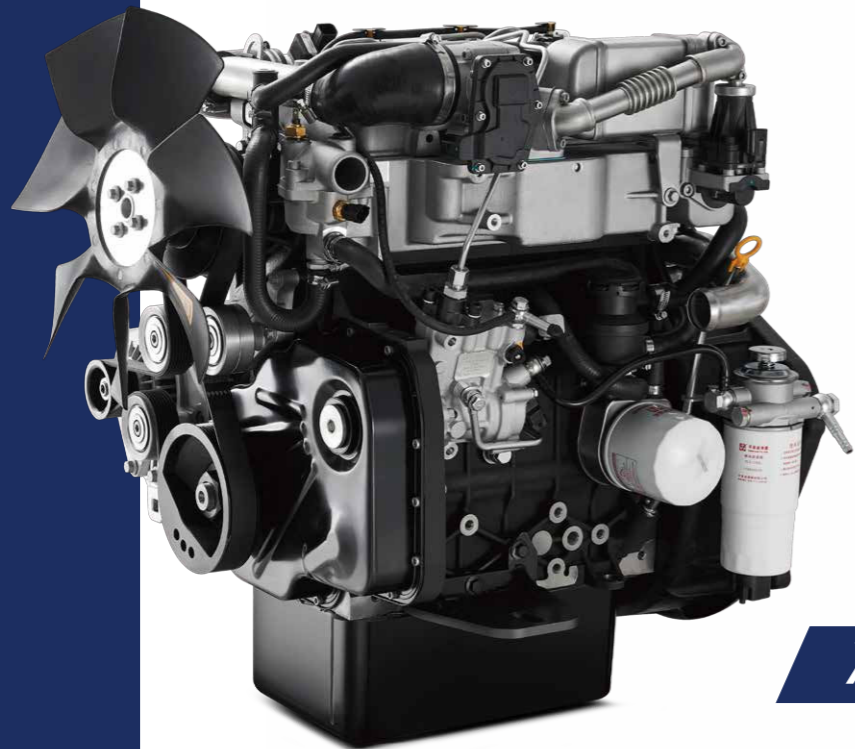
HANGCHA be with you at every stage

Efficient, reliable solutions for your demands

STAGE V & TIER 4F

With Hangcha you can meet all Stage V/Tier 4f emissions standards which provides customer demands for value, innovation and performance. The technologies include common rail fuel systems, diesel oxidation catalysts (DOC) and diesel particulate filters (DPF). Designed and optimised to every engine model, our forklift truck maximises efficiency and reliability.

**Powerful/
Efficient/
Reliable**



XINCHAI



Interactive instrument: The instrument adopts 4.0-inch color LCD display with four interactive buttons, and has one CAN bus communication function. The communication protocol is compatible with CANopen and SAE J1939 standards.



HANGCHA Forklift with StageV and T4F

No.	Capacity	Series	Manufacturer	Engine	Drive power	Model	Emission Std.	Transmission	Power (kw/rpm)
1	1.5-3.5t	XF	KUBOTA	V2607-CR-E5B	Diesel	CPCD15/18/20/25/30/35-XW97F	Stage V / Tier4 final	F	37.4/2400
2	2.0-3.5t	XF	KUBOTA	V2607-CR-TE5B	Diesel	CPD20/25/30/35-XW98F	Stage V / Tier4 final	F	47.3/2400
3	2.0-3.5t	XF	XINCHAI	3E22YG51	Diesel	CPD20/25/30/35-XH7F/B	Stage V	F/OKAMURA	44.8/2400
4	1.0-1.8t	XF	GCT	GCT GK21LPG EU-StageV CERT	LPG	CPYD15/18-XH1F/B	Stage V	F/OKAMURA	38.4/2700
5	2.0-3.5t	XF	GCT	GCT GK25LPG EU-StageV CERT	LPG	CPYD20/25/30/35-XH3F/B	Stage V	F/OKAMURA	43.4/2700

Note: Stage V applied for European Union also including Israel and Turkey
Tier4 Final applied for North American
F means full floating transmission



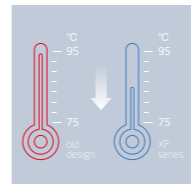
Productivity

Dynamic load sensing hydraulic steering system, Efficiency lighting system, lower fuel consumption, combine to provide increased productivity and reduced operating costs.

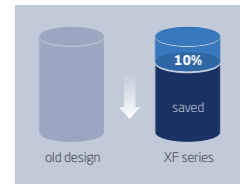
The new Dynamic load sensing hydraulic steering system contributes to reduce loss of hydraulic and improve energy efficiency.

The new efficiency lighting system employs LED illuminant and new type reflector to reduce energy consumption, improve significantly illumination performance and prolong work time.

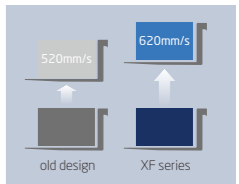
By optimizing transmission design, the power train provides higher efficiency. The fuel consumption is reduced by 10%.



Hydraulic oil balanced temperature (2.5T 4TNE98)



Fuel consumption



Speed at full load (2.5T 4TNE98)

Comfortable Operation



In developing the new XF Series, comfort and ease of operation is carefully considered, for example, to improve vibration levels, compound engine damper and full floating power train are adopted. Comfortable operating environments for operator also contribute to increased productivity.



In addition to rubber damper between frames and steering axle, compound engine damper and full floating power train achieve flexible connection between frames and driving system, as a result, traveling vibrations and vibrations from the driving system are significantly reduced.



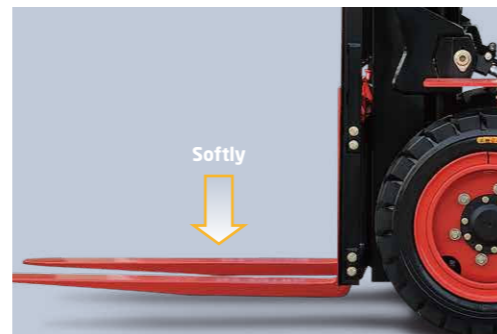
The enlarged capacity of optimized exhaust muffler, the intake muffler and the noise shield technologies provide significantly lower noise levels.

1. The new, relocated easy-to-see LCD meter lets the operator check on all aspects of operational status at a glance.
2. The new automobile-style light/turn-signal lever and forward-reverse lever are ergonomically designed and arranged to improve comfort and productivity.
3. The small diameter steering wheel with tilt adjustment provides the ideal operating position. The superior responsiveness of the steering wheel optimizes maneuverability even in narrow spaces.
4. The parking brake is specially developed. The operational force is reduced by 30%.
5. The automobile-style suspended pedals provide more ergonomic operation.



Comfortable Operation

Optimal visibility in all directions create the best conditions for high productivity through relaxed and safe working.



The extra foot space is provided to reduce operator fatigue significantly. The new wide-open, non-slip step makes getting in and out easy and safe. The optional Electro-hydraulic proportional control system contributes more sensitive and precise load handling. The easy-to-operate levers provide total load handling operation. An armrest is provided to reduce fatigue.

In addition to the soft landing system, the soft lifting system is adopted (front lifting cylinders of triplex mast and full free duplex mast), as a result, the noise and shock of the mast significantly decreases.

The developed front lifting cylinders with smaller outer diameter give the operator superior forward visibility. The double lifting cylinders provide better forward visibility.

Reliability

By focusing on enhancing reliability, reducing downtime, the XF series is able to make the greater productivity for customer.



The new aluminum alloy transmission with full floating structure features excellent heat dissipation capability, more and thicker disc meet the most demanding applications.



The new vehicle controller integrates all electrical components, features excellent durability for temperature, water and vibration for most demanding operation.



The new stamped air cleaner featuring tangential intake, double seal with safety filter is durable, corrosion-free and vibration-resistant, provides better filter efficiency and lower intake resistance than the previous.



XF series features rugged design, stamped frame and engine hood, stamped instrument panel and head guard, heavy profile rail mast combine to provide excellent rigidity, which ensures outstanding reliability even in heavy-duty work.



Extra capacity combined radiator with serpentine wave and optimized heat dissipation channel enhance the heat dissipation capability to keep engine reliability even in heavy-duty applications.

Easy Maintenance



Careful design facilitates inspection and servicing. Easy maintenance reduces the amount of downtime and helps to reduce cost also.

The cover on the Panel can be lifted up simply to check the brake fluid.

The two-piece design makes the floorboard easy to lift and remove for access to the power train.

The easy-to-operate latch provides quick access to the engine compartment.

The fasteners of the radiator cover can be turned easily by hand to enable quick inspections or servicing.

Safety

A wide range of technologies are applied to ensure absolute safety for both the operator and those in the surrounding.



The locking device of the engine hood damper and parking brake help add to safety.



An optional rear-pillar assist grip with a horn button enhances safety of operator while traveling in reverse.



1. The operator presence sensing system incorporates lifting/tilting and traveling locking function. When the operator leaves the seat, the system automatically locks lifting / tilting and disables traveling to ensure safety.
2. A throttling device is adopted to avoid the mast being out of control even some pipes are broken.

Standards

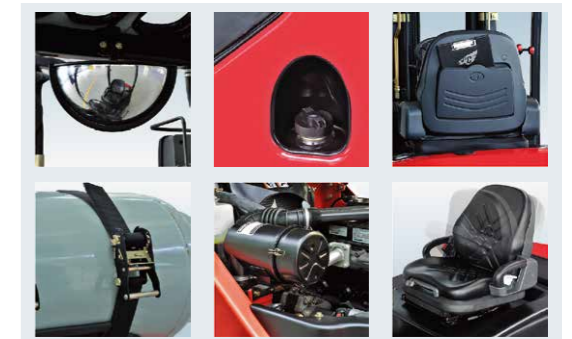
Transmission	Steering	Chassis	Control	Hydraulic
<ul style="list-style-type: none"> / Suspended transmission / Oil filter / Dipstick / Oil cooler / Non-asbestos brake / MS transmission with wet brake 	<ul style="list-style-type: none"> / Full hydraulic power steering / Smaller diameter steering wheel / Adjuster of steering wheel 	<ul style="list-style-type: none"> / Skidproof pedal / Rubber pedal / Engine hood spring 	<ul style="list-style-type: none"> / Power steering / Suspension pedal / Integrated combination switch / Cable parking brake 	<ul style="list-style-type: none"> / Dynamic load sensing control valve (Diesel IC) / Hydraulic oil filter / Tilt cylinder self-locking valve / Hydraulic oil dipstick
Truck	Power	Electronics	Mast	
<ul style="list-style-type: none"> / Traction device / Handhills / Standard seat / Standard overhead guard / Waterproof cover on the guard / Back view mirror / Pneumatic tyres / Toolbox 	<ul style="list-style-type: none"> / Big capacity aluminum radiator / Little tank / Whirlwind air cleaner / Safety filter / High-efficient intake muffler / High-efficient exhaust muffler 	<ul style="list-style-type: none"> / High-efficient front lights / High-efficient LED rear lights / Service-free start battery / Combination controller / LCD display / Neutral switch / Time meter / Fuel gauge / Water temperature gauge / Pre-heat indicator / Charging indicator / Engine fuel pressure warning / Transmission oil pressure warning / Horn / Reversing buzzer / Power off 	<ul style="list-style-type: none"> / Standard wide view duplex mast / Standard forks / Standard fork carriage / Standard load back rest / Mast speed limiting valve / Load safety valve / Mast down buffer device / Mast up buffer device / Side roller 	

Options

Truck	Transmission	Power	Hydraulic	Electronics	Mast
<ul style="list-style-type: none"> / Cabin / Cabin heater / Front window / Super elastic tyre / No-mark tyre (white/green) / Suspension seat / Extinguisher / Cover of tilt cylinder / Heightening overhead guard / Reversing assist grip / Special given color / Seat with sensing system / Boot for tilt cylinder / Counter weight net 	<ul style="list-style-type: none"> / 2-D wheel 	<ul style="list-style-type: none"> / Dual fuel LPG system / Big capacity copper radiator / High-positioned exhaust system / Middle-positioned exhaust system / Air pre-cleaner / Net cover of radiator / Sparkle arrester / Purified exhaust system / Swivel LPG bottle support / Downward LPG bottle support / Fan protector 	<ul style="list-style-type: none"> / Auxiliary hydraulic valve / Electro-hydraulic proportional control system / Return oil filter 	<ul style="list-style-type: none"> / OBD / Front working light / Rear working light / Warning lamp / Oil-water separator warning 	<ul style="list-style-type: none"> / Duplex wide view free-lift mast / Triplex wide view free-lift mast / Triplex wide view 4-cylinder free-lift mast / Special forks / Wider fork carriage / Wider load back rest

Optional Attachments

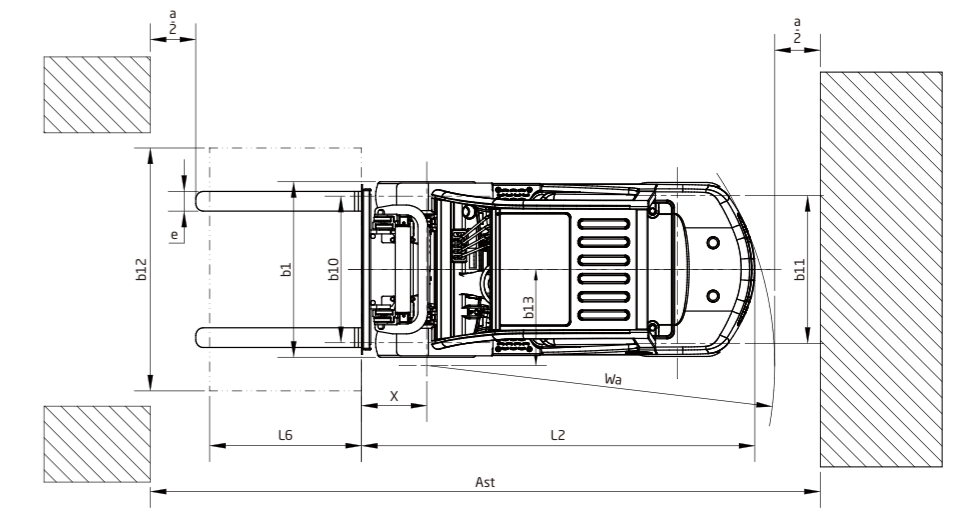
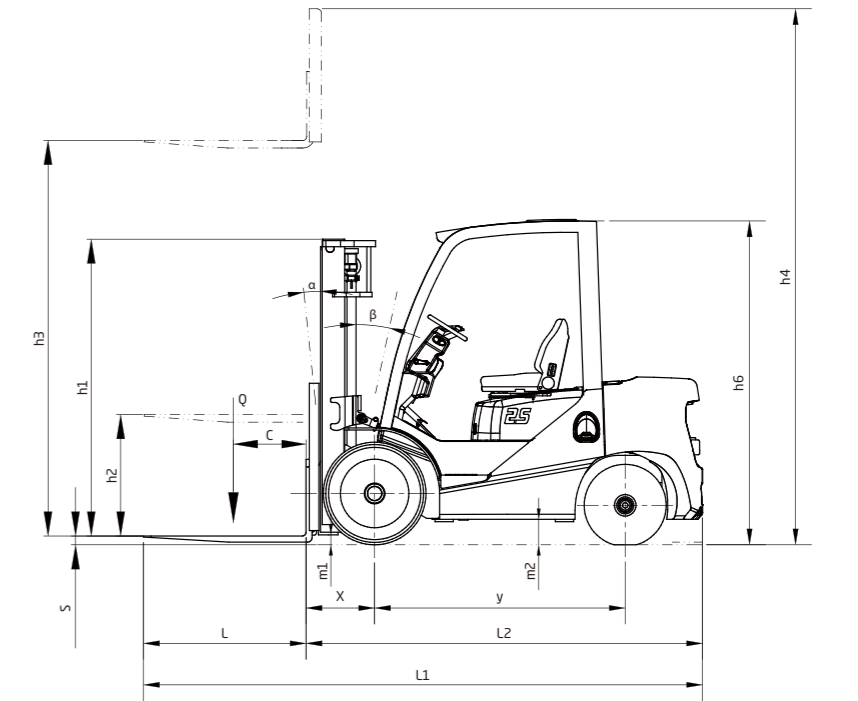
- / Paper roll clamp
- / Rotating bale clamp
- / Load stabilizer
- / Multi-drum clamp
- / Bale clamp
- / Drum clamp
- / Dumping clamp
- / Crane arm
- / String Pole
- / Sideshifter
- / Rotating forks
- / Fork extensioner
- / Load release device
- / Carton clamp
- / Push-pull device
- / Bucket
- / Hook
- / Lengthened fork



XF series 1.0-3.5t forklift specification:

		HANGCHA GROUP CO.,LTD.														
Distinguishing mark	1.1	Manufacturer	HANGCHA GROUP CO.,LTD.													
	1.2	Manufacturer's type designation	CPCD10-XW32F/B	CPVD15-XH1F/B	CPCD15-XW97F	CPVD18-XH1F/B	CPCD18-XW97F	CPVD20-XH3F/B	CPCD20-XH7F/B	CPVD25-XH3F/B	CPCD25-XH7F/B	CPVD30-XH3F/B	CPCD30-XH7F/B	CPVD35-XH3F/B	CPCD35-XH7F/B	
	1.3	Drive: electric (battery or mains), diesel, petrol, fuel gas	Diesel	LPG	Diesel	LPG	Diesel	LPG	Diesel	LPG	Diesel	LPG	Diesel	LPG	Diesel	
	1.5	Rated capacity/rated load	Q (kg)	1000	1500	1500	1750	1750	2000	2000	2500	2500	3000	3000	3500	3500
Weight	1.6	Load centre distance	c (mm)	500	500	500	500	500	500	500	500	500	500	500	500	
	1.8	Load distance, centre of drive axle to fork	x (mm)	405	405	405	405	405	465	465	465	480	480	485	485	
		Rear overhang	mm	375	405	405	430	430	415	415	490	490	550	550	615	
	1.9	Wheelbase	y (mm)	1475	1475	1475	1475	1475	1650	1650	1650	1700	1700	1700	1700	
	2.1	Service Weight	kg	2510	2650	2650	2760	2760	3405	3405	3765	3765	4350	4350	4705	4705
	2.2	Axle loading, laden front/rear	kg	3055/455	3660/490	3660/490	3995/520	3995/520	4705/700	4705/700	5475/790	5475/790	6450/900	6450/900	7255/950	7255/950
	2.3	Axle loading, unladen front/rear	kg	1260/1250	1240/1410	1240/1410	1225/1540	1225/1540	1610/1795	1610/1795	1560/2205	1560/2205	1750/2600	1750/2600	1720/2985	1720/2985
	3.2	Tyre size, front		6.50-10-10PR	6.50-10-10PR	6.50-10-10PR	6.50-10-10PR	6.50-10-10PR	7.00-12-12PR	7.00-12-12PR	7.00-12-12PR	7.00-12-12PR	28*9-15-14PR	28*9-15-14PR	28*9-15-14PR	28*9-15-14PR
	3.3	Tyre size, rear		5.00-8-10PR	5.00-8-10PR	5.00-8-10PR	5.00-8-10PR	5.00-8-10PR	6.00-9-10PR	6.00-9-10PR	6.00-9-10PR	6.00-9-10PR	6.50-10-10PR	6.50-10-10PR	6.50-10-10PR	6.50-10-10PR
	Dimensions	3.6	Tread, front	b10 (mm)	900	900	900	900	900	965	965	965	1005	1005	1005	1005
3.7		Tread, rear	b11 (mm)	920	920	920	920	920	973	973	973	973	975	975	975	
4.1		Tilt of mast/fork carriage forward/backward	αβ(°)	6/12	6/12	6/12	6/12	6/12	6/12	6/12	6/12	6/12	6/12	6/12	6/12	
4.2		Height, mast lowered	h1 (mm)	1995	1995	1995	2035	2035	2180	2180	2180	2180	2245	2245	2355	2355
4.3		Free lift	h2 (mm)	155	155	155	155	155	140	140	140	140	145	145	145	
4.4		Lift	h3 (mm)	3000	3000	3000	3000	3000	3000	3000	3000	3000	3000	3000	3000	
4.5		Height, mast extended	h4 (mm)	3955	3955	3955	4045	4045	4045	4045	4045	4045	4145	4145	4145	
4.7		Height of overhead guard (cabin)	h6 (mm)	2125(2205*)	2125(2205*)	2125(2205*)	2125(2205*)	2125(2205*)	2135(2215*)	2135(2215*)	2135(2215*)	2135(2215*)	2150(2230*)	2150(2230*)	2150(2230*)	
4.20		Length to face of forks	l2 (mm)	2255	2285	2285	2310	2310	2530	2530	2605	2605	2730	2730	2800	2800
4.21		Overall width	b1 (mm)	1080	1080	1080	1080	1080	1155	1155	1155	1155	1225	1225	1225	
4.22		Fork dimensions	s/e/l (mm)	920*100*35	920*100*35	920*100*35	920*100*35	920*100*35	1070*122*40	1070*122*40	1070*122*40	1070*122*40	1070*122*45	1070*122*45	1070*122*50	
4.31		Ground clearance, laden, below mast	m1 (mm)	115	115	115	115	115	115	115	115	130	130	130	130	
4.32		Ground clearance, centre of wheelbase	m2 (mm)	140	140	140	140	140	150	150	150	165	165	165	165	
4.35		Turning radius	W ₀ (mm)	1965	1990	1990	2015	2015	2180	2180	2245	2245	2355	2355	2415	2415
		Min. right angle stacking aisle width (Add load length and clearance)	mm	2370	2395	2395	2420	2420	2645	2645	2710	2710	2835	2835	2900	2900
Performance data	5.1	Travel speed, laden/unladen	km/h	(-/19)(-/19.3)(-/19)	(-/20)	(-/19)	(-/20)	(-/20)	(-/20)	(-/20)	(-/20)	(-/19)	(-/19.8)	(-/18.5)	(-/19.8)	
	5.2	Lift speed, laden/unladen	m/s	0.580/-	0.530/-	0.530/-	0.530/-	0.530/-	0.560/-	0.600/-	0.600/-	0.480/-	0.480/-	0.480/-	0.440/-	
	5.3	Lowering speed, laden/unladen	m/s	0.500/-	0.500/-	0.500/-	0.500/-	0.500/-	0.500/-	0.500/-	0.500/-	0.500/-	0.500/-	0.500/-	0.500/-	
	5.5	Drawbar pull, laden/unladen	N	(14600/-)(14400/-)(14100/-)	(19000/-)	16800/-	(19000/-)	16800/-	(21000/-)	19500/-	(21000/-)	19500/-	(22000/-)	20500/-	(22000/-)	20500/-
	5.7	Gradeability, laden/unladen*	%	(40/-)(39/-)(38/-)	(37/-)	34/-	(37/-)	34/-	(30/-)	27/-	(30/-)	25/-	(25/-)	23/-	(25/-)	
	7.1	Engine manufacturer/type		YANMAR/4TNE92	GCT GK21LPG EU StageV	KUBOTA V2607-CR-ESB	GCT GK21LPG EU StageV	KUBOTA V2607-CR-ESB	GCT GK25LPG EU StageV	XINCHAI 3E22YG51	GCT GK25LPG EU StageV	XINCHAI 3E22YG51	GCT GK25LPG EU StageV	XINCHAI 3E22YG51	GCT GK25LPG EU StageV	XINCHAI 3E22YG51
		Emission STD		StageIIIA/Tier3	EU StageV	EU StageV EPA/CARB Tier4 F	EU StageV	EU StageV EPA/CARB Tier4 F	EU StageV	EU StageV	EU StageV	EU StageV	EU StageV	EU StageV	EU StageV	EU StageV
Combustion-engine	7.2	Engine power according to DIN ISO 1585	kw	32.8	38.4	38	38.4	38	43.4	44.8	43.4	44.8	43.4	44.8	43.4	
	7.3	Rated speed	min	2450	2700	2400	2700	2400	2700	2400	2700	2400	2700	2400	2700	
	7.4	Number of cylinders/displacement	(-)/(cm³)	4/2659	4/2065	4/2615	4/2065	4/2615	4/2488	3/2230	4/2488	3/2230	4/2488	3/2230	4/2488	
	7.10	Battery voltage/nominal capacity	V/Ah	12/60	12/60	12/90	12/60	12/90	12/60	12/90	12/60	12/90	12/60	12/90	12/60	
		Rated torque	N·m/r/min	142/1600	151/1600	174.1/1500	142/1600	174.1/1500	183.5/1600	210/1600-1800	188/1600	210/1600-1800	188/1600	210/1600-1800	188/1600	
		Bore × stroke	mm	92*100	89*83	89*83	89*83	89*83	89*100	94*107	89*100	94*107	89*100	94*107	89*100	
		Transmissions Manufacturer		HANGCHA/OKAMURA	HANGCHA/OKAMURA	HANGCHA	HANGCHA/OKAMURA	HANGCHA	HANGCHA/OKAMURA	HANGCHA/OKAMURA	HANGCHA/OKAMURA	HANGCHA/OKAMURA	HANGCHA/OKAMURA	HANGCHA/OKAMURA	HANGCHA/OKAMURA	
		Transmissions Type		Powershift	Powershift	Powershift	Powershift	Powershift	Powershift	Powershift	Powershift	Powershift	Powershift	Powershift	Powershift	
		Stage	FWD/RVS	1/1	1/1	1/1	1/1	1/1	1/1	1/1	1/1	1/1	1/1	1/1	1/1	
	Addition data	10.1	Operating pressure for attachments	bar	145	145	145	145	145	175	145	175	145	175	145	175
10.4		Fuel tank capacity	liter	50	28	50	28	50	40	60	40	60	40	70	40	

Note: *With suspension seat or cabin
* As a calculated value



Optional Engine / Transmission

Engine	Engine manufacturer/type	GCT K21				YANMAR 4TNE92		GCT K21 LPG		GCT GK21 LPG	GCT GK21 LPG EU StageV	KUBOTA V2607-CR-ES	YANMAR 4TNE98	XINCHAI A498BT1	GCT K25 LPG	GCT GK25LPG	GCT K25	mitsubishi S4S-DPEU2	ISUZU 4JG2PE-01	GCT GK25 LPG EU StageV	XINCHAI 3E22YG51	KUBOTA V2607-CR-TESB
	Manufacturer's type designation	W21				W32		W51		W87	H1	W97	W33	W27	W52	W77	W22	W55	W13	H3	H7	W98
	Drive	Gasoline	Gasoline/ DUAL FUEL/ LPG	Gasoline/ DUAL FUEL/ LPG	Diesel	LPG		LPG	LPG	Diesel	Diesel	Diesel	Diesel	LPG	LPG	Gasoline DUAL FUEL/LPG	Diesel	Diesel	LPG	Diesel	Diesel	
	Emission STD	—				StageIIIA		—		EU StageV		Stage V/Tier 4F	StageIIIA	StageIIIA	—		StageIIIA		StageII	EU StageV	EU StageV	EU StageV EPA/CARB Tier4 F
	Engine power	kw/r/min	31.2/2250		32.8/2450		29/2250		38.4/2700	38.4/2700	42.1/2300	36.8/2400	36.8/2400	35/2400	43.4/2700	37.4/2500	35.3/2250	46/2450	43.4/2700	44.8/2400	47.3/2400	
	Rated torque	N·m/r/min	143.7/1600		149/1600		140/1600		151/1600	151/1600	174.1/1500	206/1700	186/1600-1800	170/1600	183.5/1600	176.5/1600	177/1700	186/1700±100	183.5/1600	210/1600-1800	221.7/1500	
	Number of cylinders/displacement	ml	4/2065		4/2659		4/2065		4/2065	4/2065	4/2615	4/3319	4/3168	4/2488	4/2488	4/2488	4/3331	4/3059	4/2488	3/2230	4/2615	
Transmission	Powershift	F(CHINA)	✓	✓	✓	✓	✓	✓	✓	✓	✓	✓	✓	✓	✓	✓	✓	✓	✓	✓	✓	✓
		OKAMURA(JAPAN)	✓	✓	✗	✓	✗	✓	✗	✓	✗	✓	✓	✗	✓	✓	✓	✓	✗	✓	✓	✗
Rated capacity/rated load		Q (kg)	1000	1500-1750	2000	1000-1750	2000-2500	1500-1750	2000-2500	1500-1750	1500-1750	1500-3500	2000-3500	2000-3500	2000-3500	2000-3500	2000-3500	2000-3500	2000-3500	2000-3500	2000-3500	2000-3500

